



SEPARATOR

SPARES & EQUIPMENT LLC

MMB 305 High Speed Disc Stack Centrifuge

Machine Application

The MMB 305 high speed disc stack centrifuge is designed for purification or clarification of fuel oils, engine oils, lubricating oils, and various mineral oils used on board marine installations and in industrial applications.

Separator Design

The MMB 305 consists of four frame parts, the lowers, intermediate, top and hood. The separator is driven by an electric motor, friction coupling, flat belt and vertical drive shaft. The motor drives the friction coupling which drives the flat belt, ensuring a gradual start, preventing overload.

The bowl is fixed onto the vertical drive shaft situated in the top part of the frame. The frame hood is easily removed for easy access when cleaning or carrying out maintenance.

Standard Equipment

- MMB 305 centrifugal separator
- Motor - 440 volt, 60Hz, 3-phase
- Complete set of gravity disks
- Complete set of tools
- Set of spare parts for extended use
- Set of instruction manuals

Optional Equipment

- Motor - 380 volt, 50Hz, 3-phase
- Motor - Dual 208-230/440 volt, 60Hz, 3-phase
- MAWA Water seal alarm
- Electric pre-heater
- Control Panel
- Starter
- Skid
- Oil Feed Pump



MMB 305 with motor

Separator Throughputs and Capacities

The MMB 305 is suitable for the separation of marine diesel, biodiesel, distillate, lubricating and hydraulic oils. (Throughputs may vary depending on temperature and viscosity of liquids)

Expected Throughput:

- Marine diesel oil: 1030 g/h
- Biodiesel: 1030 g/h
- Lubricating oil: 342 - 476 g/h
- Distillate: 1242 g/h
- Hydraulic oil: 1030 g/h

SEPARATOR SPARES & EQUIPMENT, LLC.

TECHNICAL DATA SHEET MODEL MMB-305

Weight:

(According to Standard Equipment w/ motor and Complete Bowl)

Approx. 513 lbs

Electric Power Consumption:

Idling: 0.70 kW

Running @ Max Capacity: 2.3 kW

Max Power Consumption @ Start-up: 4.3 kW

Dimensions:

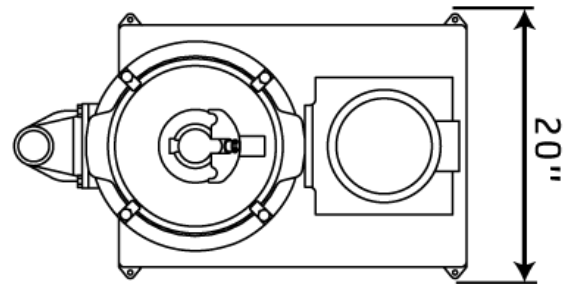
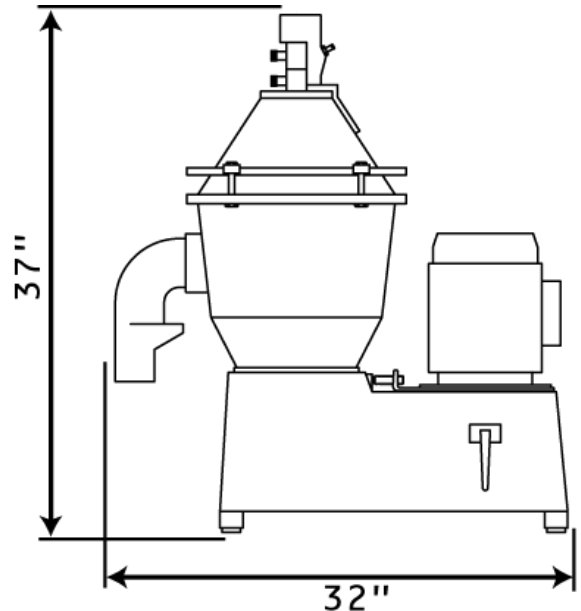
* See Dimensional Drawing for approximate measurements

* Allow additional room for hose connections and machine maintenance

Notes:

* Complete instruction manual and documentation ships with each separator

* Manufacturer can change specifications without notice



Separator Spares & Equipment, LLC.
144 Intracoastal Drive
Houma, LA 70363

Toll Free (866) 218-0013
Phone (985) 346-0122
Fax (985) 346-0244
www.separatorequipment.com