



Pall Corporation

FBSASEEN

Filter Housings

For use in Food
and Beverage Production



Filtration. Separation. Solution.SM



Filter Housings

For use in Food and Beverage production

This range of Pall® filter housings has been designed and engineered to meet the demands of Food and Beverage applications such as beer, wine, spirits, soft drinks, and bottled water.

All product contact components are manufactured from corrosion resistant 316L stainless steel. Each housing has an electropolished finish throughout to ensure hygienic operation.

The range includes options to accommodate from three to twenty eight bayonette locking, double o-ring seal filters. The extensive range of **Pall** filters can be incorporated to provide the optimum combination for specific filtration applications.

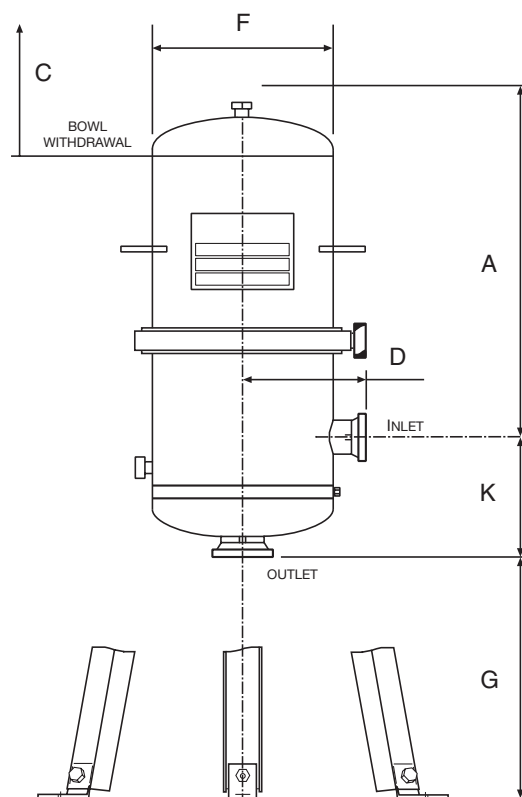
Typically, flow rates ranging from 10 to 3000 L/min (2.5 to 790 USG/min) can be filtered.

Features and Benefits

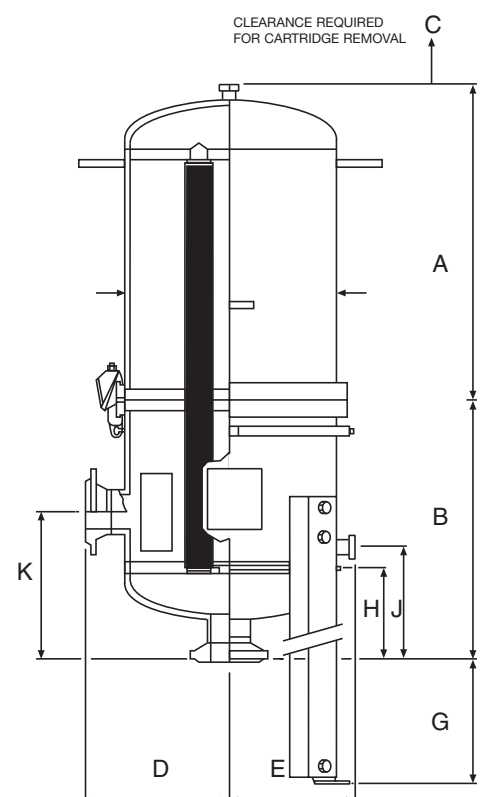
- Large, hydro-dynamically designed inlet and outlet connections allow high flow rates with low differential pressures.
- Electropolished to ensure smooth and easy to clean surfaces.
- Large vent and drain connections which aid emptying and rapid cartridge changeout.
- High security closures ensure safe operation at high pressures.
- Internal protection of filters via baffle plate.
- Designed for *in-situ* steam sterilisation.

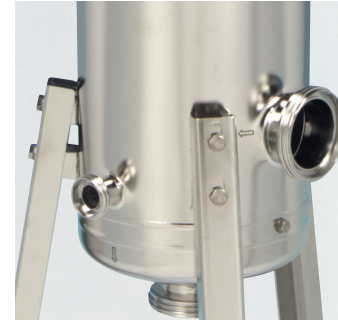
Dimensions

3 and 6 stack options



11, 18 and 28 stack options





Technical Information

Dimensions

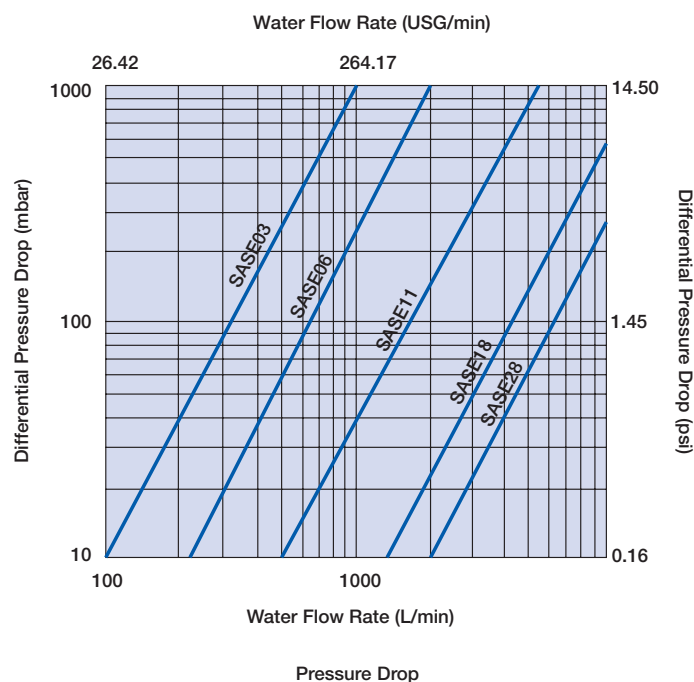
Housing	Nominal Dimensions in mm									
	A	B	C	D	E	ØF	G	H	J	K
SASE032GNW50JFB	571	-	325	150	-	219	400	-	-	200
SASE033GNW50JFB	820	-	570	150	-	219	400	-	-	200
SASE034GNW50JFB	1068	-	815	150	-	219	400	-	-	200
SASE062GNW80JFB	586	-	260	185	-	273	400	-	-	240
SASE063GNW80JFB	836	-	510	185	-	273	400	-	-	240
SASE064GNW80JFB	1086	-	760	185	-	273	400	-	-	240
SASE112GNW80J	246	563	115	205	204	324	405	138	166	234
SASE113GNW80J	496	563	400	205	204	324	405	138	166	234
SASE114GNW80J	741	563	655	205	204	324	405	138	166	234
SASE182G63J	266	618	140	315	244	406	568	193	244	290
SASE183G63J	516	618	385	315	244	406	568	193	244	290
SASE184G63J	761	618	655	315	244	406	568	193	244	290
SASE282G67J	291	652	140	360	295	508	568	220	279	367
SASE283G67J	531	652	385	360	295	508	568	220	279	367
SASE284G67J	776	652	630	360	295	508	568	220	279	367

Specification

Maximum operating pressure	10 barg (145.03psig)
Maximum operating temperature	140°C (284°C)
Materials of construction	Head and bowl 316L stainless steel. Legs and clamps 304 stainless steel. O Ring seal ethylene propylene ¹
Surface finish	Electropolished internal and external
Standard vent/drain connections	25mm DIN 11851 Male. For other options please contact Pall
Tubesheet drain	1/8" BSPT female (plugged)
Filter cartridge compatibility	Pall AB code 7 filter cartridges
Design specification	Design capability of 5 times maximum operating pressure. Each housing hydrostatically tested to 1.5 times maximum operating pressure.

Please refer to Pall Food and Beverage filter cartridge literature for additional guidelines on use.

Water Flow / Pressure Drop for Food and Beverage Filter Housings



The liquid flow/pressure drop characteristics refer to the empty housing only for water at 20°C (68°C). For other liquids, multiply pressure drop by the specific gravity.

Ordering Information

This is a guide to the part number structure and possible options only. For availability of specific options, please contact Pall.

Pall Part Number:

S A S E   G   

Table 1

Code	Number of Cartridges
03	3
06	6
11	11
18	18
28	28

Table 2

Code	Cartridge Nominal Length
2	508 mm (20")
3	762 mm (30")
4	1016 mm (40")

Table 3

Code	Standad Inlet/Outlet Connection
NW50	50 mm (DIN11851) Male
NW80	80 mm (DIN11851) Male
36	2" RJT Male
45	3" RJT Male
63	100 mm BS4504 Flange
67	150 mm BS4504 Flange
96	2" SMS Male
97	3" SMS Male

Table 4

Code	Seal Material
J	Ethylene Propylene ¹

Table 5

Code	Description
FB	Addition for 3 and 6 stack housings only

Accessories

Description	Ordering Reference
Vent/Drain valve	ACS0085CU
80mm DIN stub adaptor kit	ACS0139GA
80mm DIN hosetail adaptor kit	ACS0140GA
Vent, drain, pressure gauge and view glass assembly	ACS0616AU
Pressure Gauge (0-10 barg linear)	ACS0867FA

Replacement Parts

Description	Ordering Reference
Ethylene Propylene Housing Closure Seal Kit ¹ :	
3 cartridge housing	ACS0637EX
6 cartridge housing	ACS0638EX
11 cartridge housing	ACS0027EX
18 cartridge housing	ACS0041EX
28 cartridge housing	ACS0052EX
Tubesheet plug kit	ACS0163AS
Rathmann clamp kit	ACS0006DA
15mm DIN Seal (2)	ACS0055EU
25mm DIN Seal (2)	ACS0060EU
V-Band clamp kit (6 round)	LY00439
V-Band clamp kit (3 round)	LY00440

¹The seal materials employed meet FDA requirements for food contact use as detailed in 21 CFR Section 177.2600



Pall Corporation

Pall Food and Beverage

Portsmouth - UK
 +44 (0)23 9230 2269 telephone
 +44 (0)23 9230 2509 fax
 processuk@pall.com

New York - USA
 866 905 7255 toll free
 +1 516 484 3600 telephone
 +1 516 625 3610 fax
 foodandbeverage@pall.com

Visit us on the web at www.pall.com

Pall Corporation has offices and plants throughout the world in locations including: Argentina, Australia, Austria, Belgium, Brazil, Canada, China, France, Germany, India, Indonesia, Ireland, Italy, Japan, Korea, Malaysia, Mexico, the Netherlands, New Zealand, Norway, Poland, Puerto Rico, Russia, Singapore, South Africa, Spain, Sweden, Switzerland, Taiwan, Thailand, United Arab Emirates, United Kingdom, United States, and Venezuela. Distributors are located in all major industrial areas of the world.

Because of developments in technology these data or procedures may be subject to change. Consequently we advise users to review their continuing validity annually. Part numbers quoted above are protected by the Copyright of Pall Europe Limited.

 and Pall are trade marks of Pall Corporation. Filtration, Separation, Solution, and Total Fluid Management are service marks of Pall Corporation. ® indicates a trade mark registered in the USA. ©2006, Pall Corporation.